



## 72" High Bright 5000 nit Fanless LCD with Narrow Bezel

### Model DS72LT6

The DS72LT6 features a full HD 72-inch IPS LCD with a high brightness LED backlight producing a 5,000 nit sunlight viewable image. The DS72LT6 has been designed for large scale display applications in bright environments such as outdoor enclosures and storefront windows. A narrow 30 mm bezel makes this model ideal for either single display or video wall applications. Each screen is individually color calibrated to the D65 color standard to ensure uniformity amongst multiple displays.

### Key Features

- 5,000 nit Maximum Brightness
- LED Backlit with Local Dimming
- Blackening Defect Free in Direct Sunlight
- 1920 x1080 Full HD Native Resolution
- 1,000,000:1 Dynamic Contrast Ratio
- 30 mm Bezel Width
- VESA Mounting Compliance
- Carrying Handles

Screen image simulated.

# 72" High Bright 5000 nit Fanless LCD with Narrow Bezel

## Model DS72LT6

### PANEL

LCD Panel Type	72.07 inches IPS LCD
Native Resolution	1920 x 1080
Backlight	Direct LED
Brightness	5000 nit
Default Color Temperature	D65 (6500 K)
Contrast Ratio	3,000:1 (static) 1,000,000:1 (dyn)
Color Depth	8 bit
Response Time	12 ms (typ)
Viewing Angle	178° / 178°
Light Life Time	50,000 hrs (typ.)
Blackening Defect Free	Up to 110°C (230°F)
Panel Surface	AR, 3H

### POWER

Power Supply	Internal
Rated Voltage	200 V ~ 240 V, 50 Hz / 60 Hz
Power On Mode	1250 W (typ), 2050 W (max)
Power Saving Mode	< 1 W
AC Out	< 100 W

### MECHANICAL SPECS

Bezel Width (T/B/L/R)	30 / 30 / 30 / 30 mm
Cabinet Color	Black
Monitor Dimension (LxHxD, w/o stand)	1666 x 968 x 158.4 mm
Monitor Weight (set/package)	103 kg / 111 kg
VESA Mounting (dimension)	400 x 400 mm, 800 x 400 mm
Orientation	Portrait / Landscape

### USER INTERFACE

Language	English
Daisy Chain	DVI, RS-232
Proof of Image Retention	Yes
Dimming Control (DCR)	Yes
Built-in Video Wall Support	Up to 6x6
ID Setting for Daisy Chain	Yes
On/Off Scheduling	Yes
Ambient Light Sensor	Yes
Total Turn-on time	Yes
Internal Temperature Sensor	Yes
Network Control	RS-232, RS-485 (RJ45)
OSD Menu Rotation	Yes
Carrying Handles	Yes

### I/O PORTS

DVI-D	In (x1) (Supports HDCP), Out (x1)
RS-232	In (x1), Out (x1)
Component	Optional w/ A-D Converter Box
S-Video	Optional w/ A-D Converter Box
Composite	Optional w/ A-D Converter Box

### ACCESSORIES

Remote Control	Yes
Users Guide / Driver CD-ROM	Yes
Video Cable	DVI
Power Cable	Yes

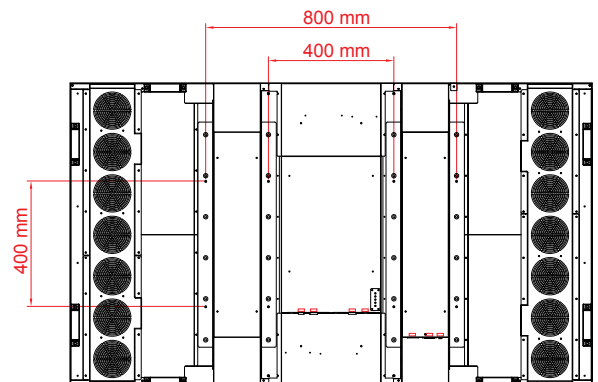
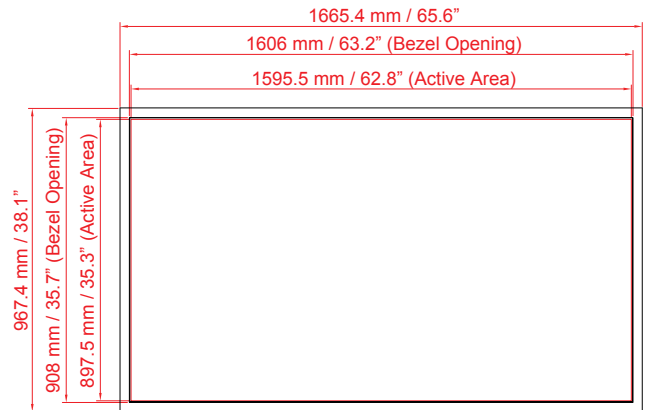
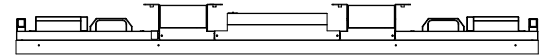
### ENVIRONMENT

Operating Temperature	0° C ~ 40° C
Storage Temperature	-20° C ~ 60° C
Humidity	10% ~ 80% RH Non-condensing

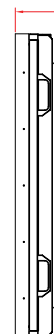
### CERTIFICATION

CE / FCC / ROHS	
-----------------	--

All specifications subject to change without notice.



158.4 mm / 6.2"



For More Information, Contact DynaScan:

Tel: +1 949-421-0348, +1 866-508-4848

Email: [info@dynascanusa.com](mailto:info@dynascanusa.com)

Online: [www.dynascanusa.com](http://www.dynascanusa.com)